



iPad Gen. 7 (iPad 10.2")
iPad Pro 10.5"
iPad Air 3.



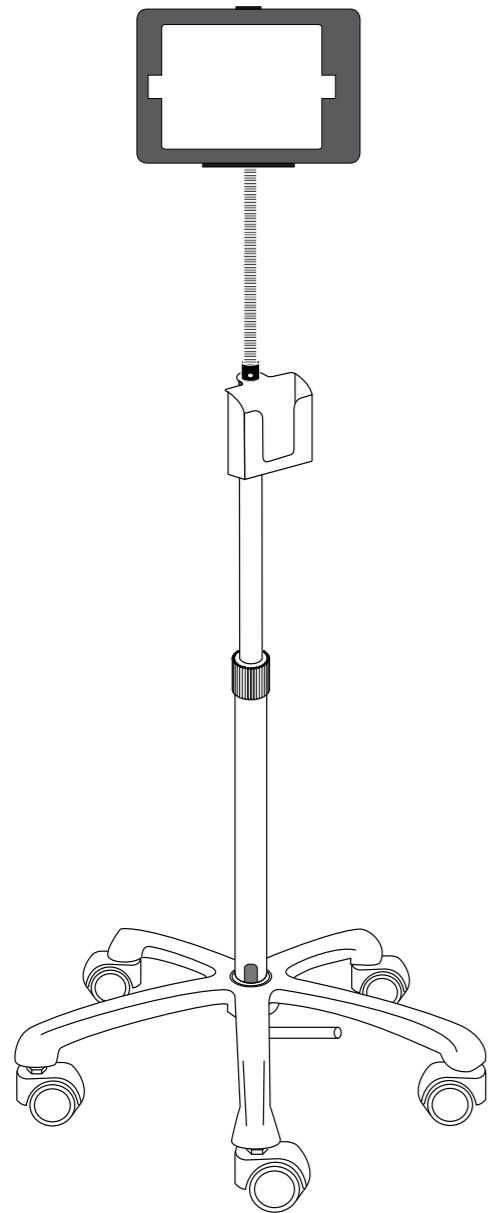
CTA DIGITAL

PAD-HSFK10

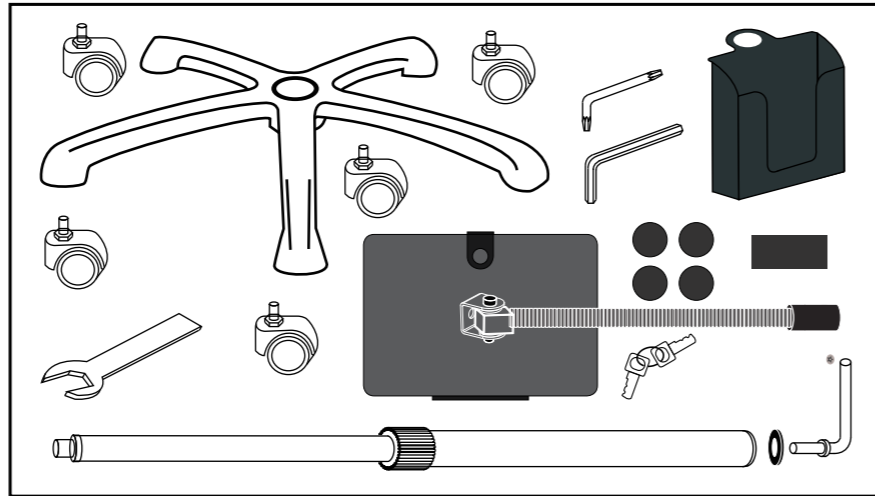
Heavy-Duty Security Floor Stand

for iPad Gen. 7 (iPad 10.2"), iPad Pro 10.5" & iPad Air 3
INSTRUCTION MANUAL

**Note - Hinges may get looser and droop over time. Please tighten screws for optimum usage and efficiency.



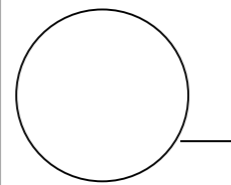
Package contents:



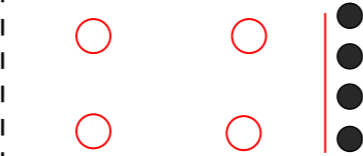
Instructions:

1. Installing your Device into the Tablet Enclosure

Use keys to open and lock tablet enclosure. Clockwise for locking, counter-clockwise for unlocking.



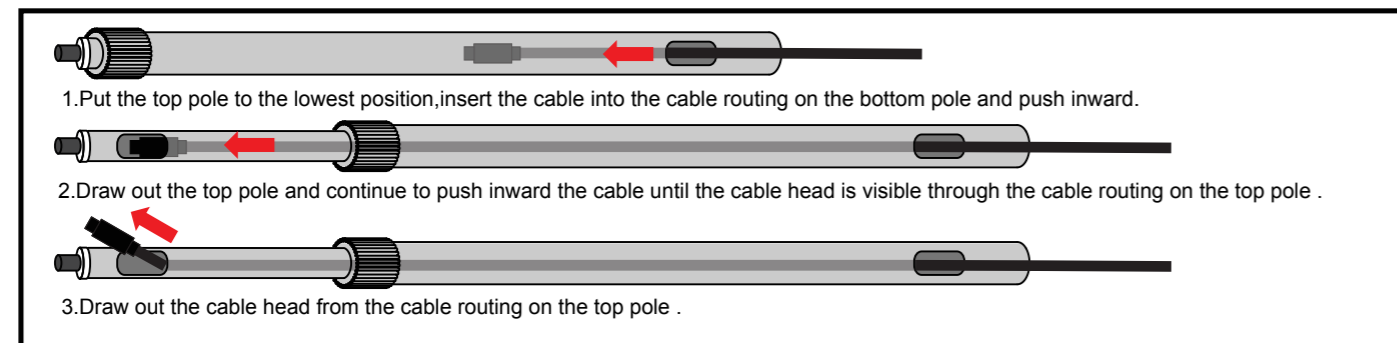
Insert key into lock at enclosure rear. Turn counter-clockwise to unlock. Insert tablet and route charge cable with the cable management system through the cutout at the rear. Shut the enclosure and turn key clockwise and remove to lock.



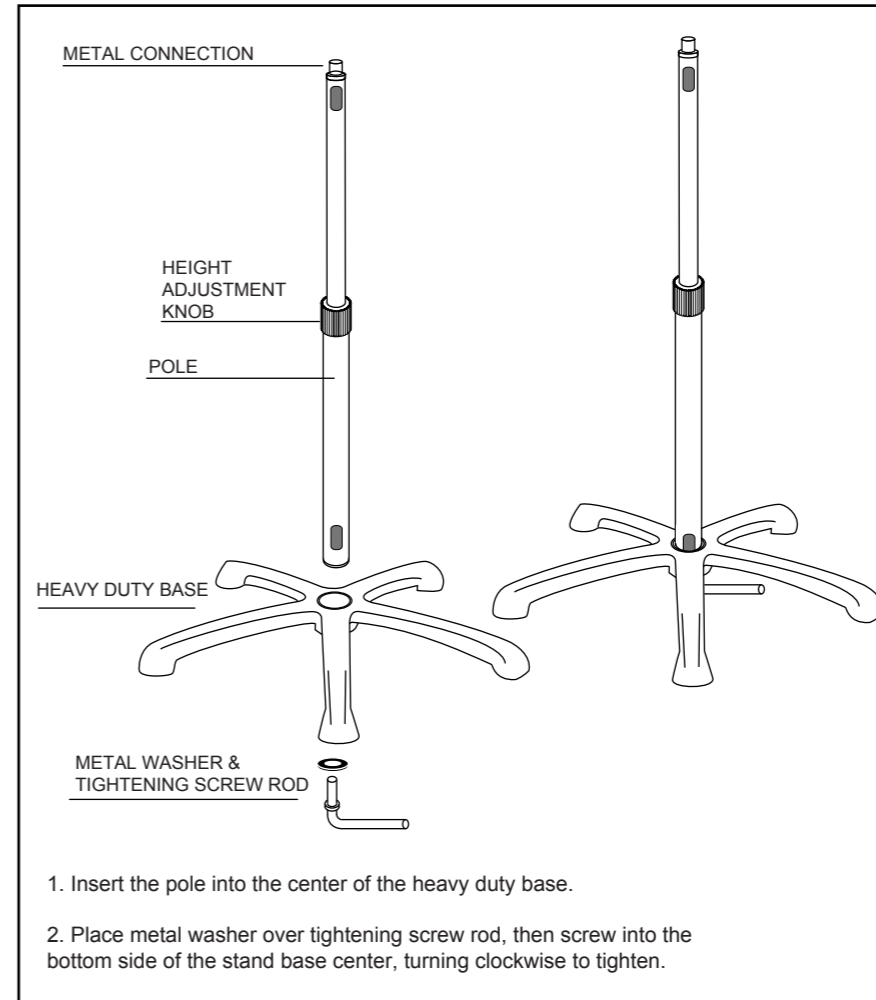
Stick the attached thin round pad on each of the round pad to ensure the perfect fit for iPad 10.5".

2. Going the Cable Through the Cable Routings on the Pole

This product allows you to go through the cable from the cable routings on the pole.

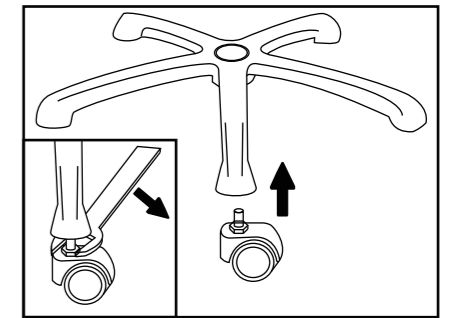


3. Stand Assembly:

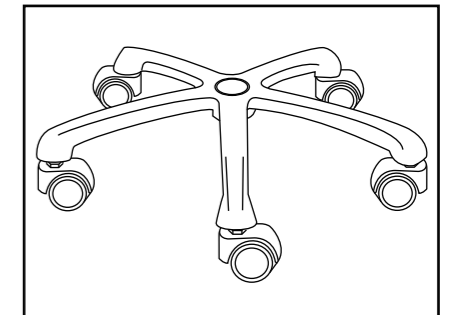


Attaching wheels:

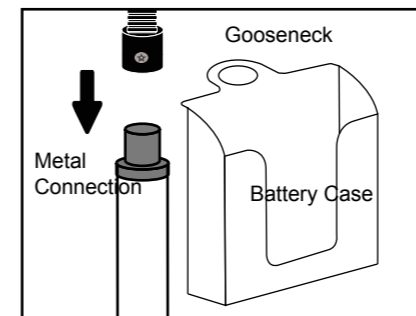
Connect wheels to stand base before attaching pole.



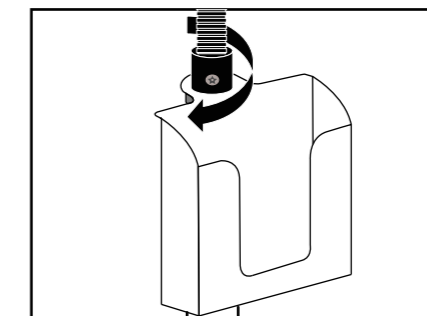
Screw wheels into floor base by hand, then use wrench to tighten.



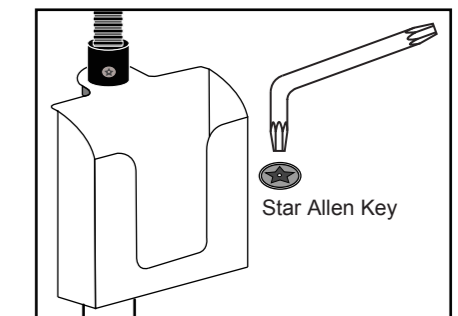
4. Connecting the Gooseneck Enclosure & Battery Case



1. Place battery case over metal connection on the pole.

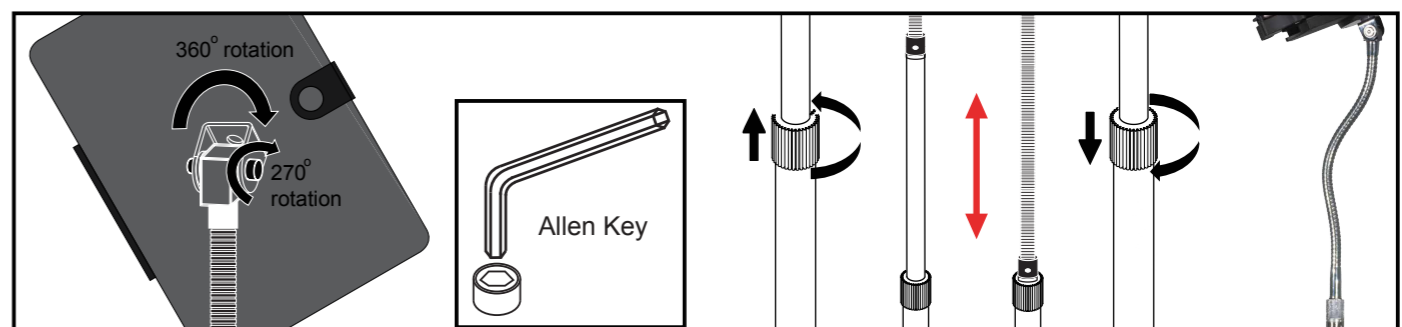


2. Place gooseneck over metal connection then turn clockwise to screw down until tight.



3. Use the smaller Star Allen key to tighten the small star meter screw inside the gooseneck. *Note: if meter screw is already in, unscrew before attaching gooseneck in step 2.*

5. Installing your Device and Adjusting the Floor Stand:



1. Use included Allen key to tighten and loosen the gooseneck to holder connection screw to adjust ease of rotation.

2. Rotate plastic grip to adjust pole to desired height. Flex the gooseneck freely to adjust your favorite view angle.